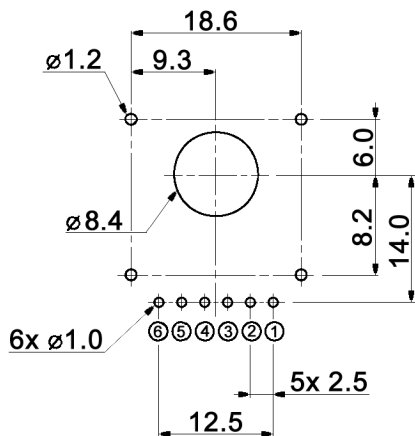
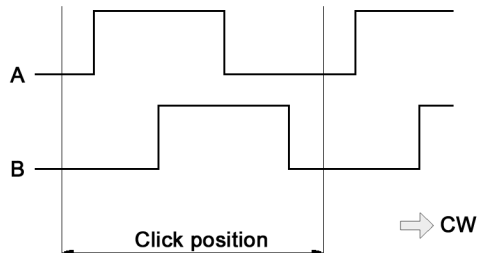


MOUNTING HOLE DETAIL



OUTPUT PHASES

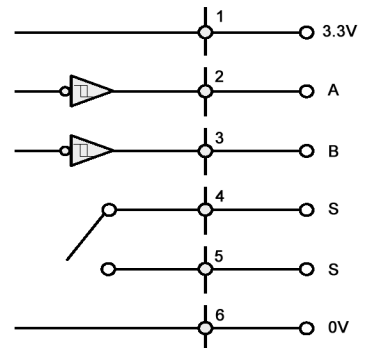


Click positions are on the bottom level of output A and B.

Specifications:

- Power supply: 20mA +/-10mA, 3.3V DC +/-5%
- Insulation resistance: 100MOhm min. at 250V DC
- Dielectric strength: 300V AC for 1 minute
- Operating temperature: -20°C to +70°C
- Storage temperature: -20°C to +80°C
- Electrical life: 1 000 000 cycles min.
- Soldering conditions: 280°C, 3sec.
- Resolution: 24 pulses / turn
- Detent: 24 detents / turn
- Rotational torque: 40.8 +/-20.4gf.cm (4mN.m +/-2mN.m)
- Frequency response: 100Hz max.
- Switch: Rating: 0.1-10mA, 12V DC
Contact resistance: 100ohm max.
559 +/-204gf (5.5 +/-2N)
Travel: 0.25 - 0.35mm

OUTPUT CIRCUITRY



Compliance: RohS II (2011/65/EU)

Tolerances: under to 10: ±0.3mm over 10 to 100: ±0.5mm	Date	Name
	04/16	dr
Operating temperature	05/16	dr
Modifications	Date	Name

MEOP 19VG-24C-2F15-MTF3F

knitter-switch

30 35 79

Page

1/1